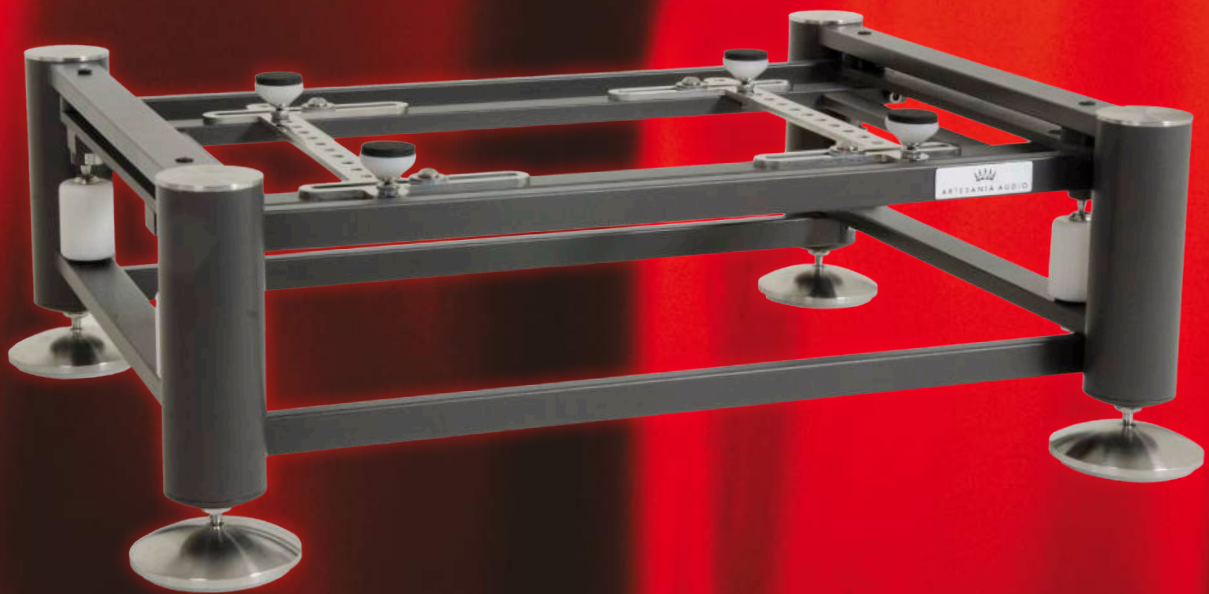




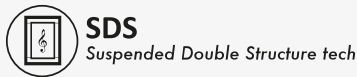
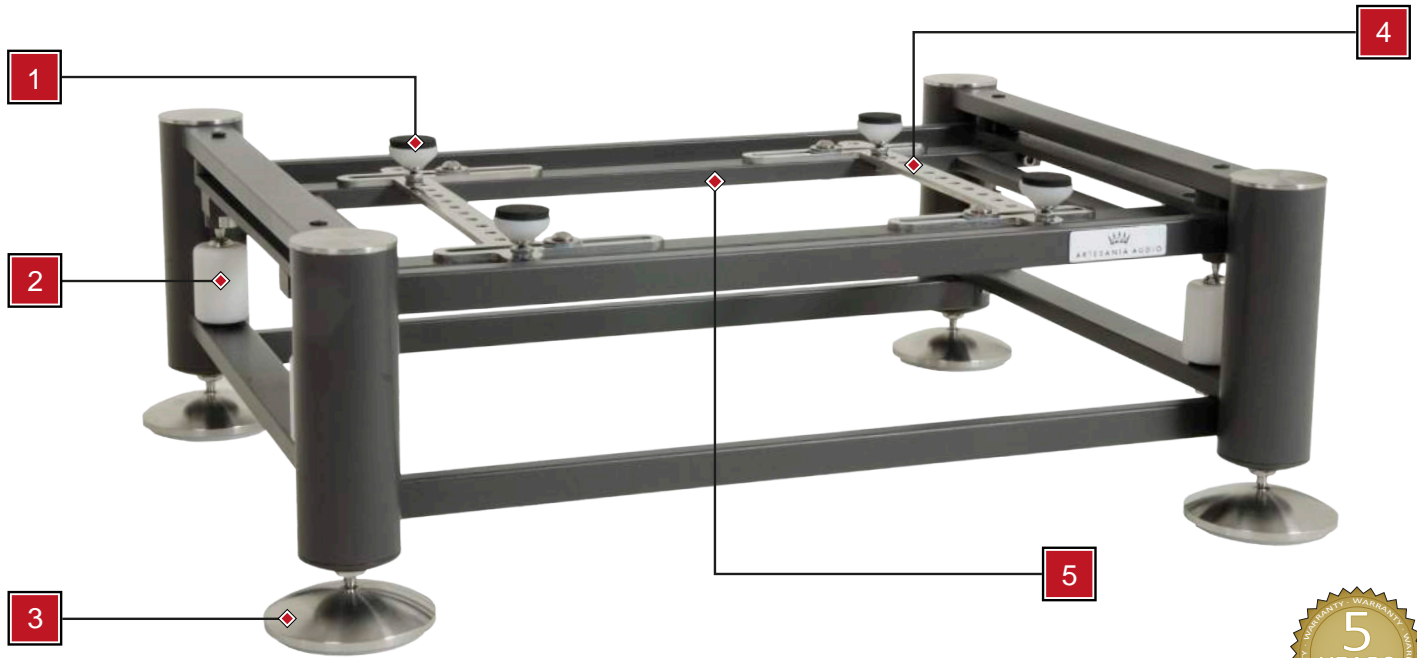
ARTESANÍA AUDIO

the high end rack company

AIRE FLOOR PLATFORM



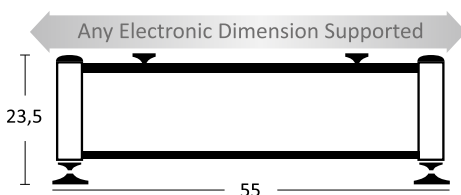
www.artesaniaaudio.com
info@artesaniaaudio.com



Technical Construction Details

- 1 • ISOLATION DISCS**
Support each of the electronic components (without any need for shelves). Easy installation facilitated by an elastic insert which provides stability to place electronic components on the adjustable spikes.
- 2 • TEFLON CILINDERS**
Support the internal structure and isolates from the external structure. **(Diameter 38 mm)**
- 3 • DECOUPLING BASE**
Stainless steel discs support the spikes of the uprights. Two types of floor pads are included, with different sonic behavior, depending on the room acoustics.
Check manual to use the proper pads for the bases.
- 4 • LINEAR ARMS**
Arms made from anti-magnetic stainless steel. The arms hold adjustable spikes (can be located in different positions) also support isolating discs and damping pads. **Total flexibility in different positions and easy to change.**
This system allows to set up the best support position to place electronic components.
- 5 • INTERNAL SUSPENDED STRUCTURE**
Isolated from external structure. **Eliminates vibrations** that are transmitted from solid and acoustic sources through the creation of decouples; steel needles supported on isolating discs. These provide extra tiers of **anti-resonant protection**. This suspended audio rack has a **triple decoupling**.

Dimensions and weight



AIRE RACK	rack weight		weight supported	
	kg	lb	kg	lb
Floor platform	19	41	200	440

Options

3 colors available (Upon request)



Silver



Anthracite



Black

Any special & custom version upon request

All racks are shipped 95% assembled